

Technical data sheet



Product features

Tilting bratt pan manual electric 80 l steel compound bottom

Model	SAP Code	00012289
--------------	-----------------	----------



- Bottom material: Steel - suitable for frying
- Bottom thickness: 12.00
- Basin volume [l]: 80
- Usable volume [l]: 80
- Tilting: Manual
- Filling: Mechanical cock
- Type of pan: Tilting
- Basin shape: Practically shaped bathtub spout to minimize spillage
- Protection of controls: IPX4

SAP Code	00012289	Loading	400 V / 3N - 50 Hz
Net Width [mm]	800	Bottom material	Steel - suitable for frying
Net Depth [mm]	900	Basin volume [l]	80
Net Height [mm]	900	Usable volume [l]	80
Net Weight [kg]	162.00	Tilting	Manual
Power electric [kW]	15.000		

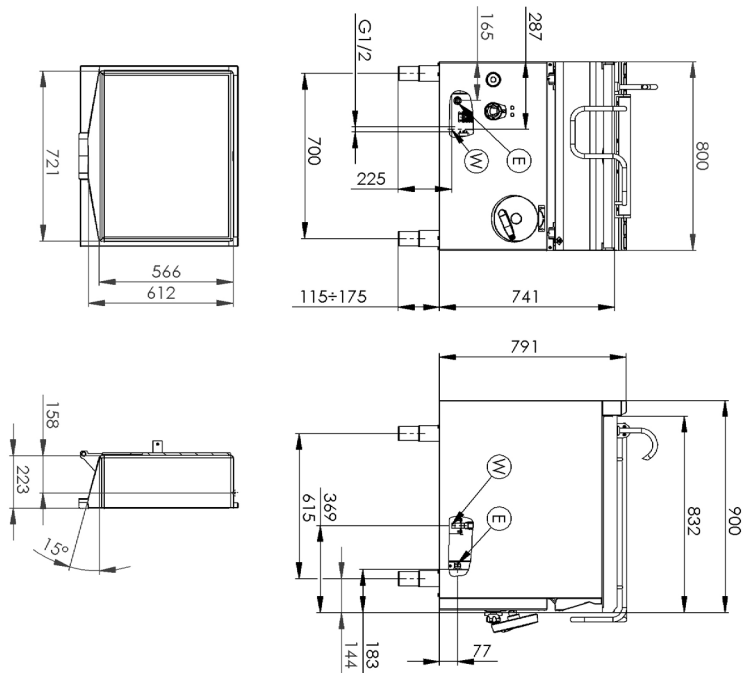
Technical data sheet



Technical drawing

Tilting bratt pan manual electric 80 l steel compound bottom

Model	SAP Code	00012289
-------	----------	----------



Tilting bratt pan manual electric 80 l steel compound bottom

Model	SAP Code	00012289
--------------	-----------------	----------

1

Manual folding system

maintenance-free system
equipped with a spring for convenient tilting
long life

- savings on service interventions
- easy cleaning and maintenance of equipment

2

Degree of protection of the control elements IPX4

maintenance-free system
resistance to splash water
long life

- savings on service interventions
- easy cleaning and maintenance of equipment

3

Stainless steel bathtub

the material does not cut
wear resistance of the material
long life

- savings on service interventions
- easy cleaning and maintenance of equipment

4

Efficient distribution of heating elements

perfect heat distribution including corners
fast heating

- saving time when cooking
- saving energy
- long service life

Technical data sheet



Technical parameters

Tilting bratt pan manual electric 80 l steel compound bottom

Model	SAP Code	00012289
--------------	-----------------	----------

1. SAP Code:

00012289

2. Net Width [mm]:

800

3. Net Depth [mm]:

900

4. Net Height [mm]:

900

5. Net Weight [kg]:

162.00

6. Gross Width [mm]:

970

7. Gross depth [mm]:

840

8. Gross Height [mm]:

1160

9. Gross Weight [kg]:

182.00

10. Device type:

Electric unit

11. Construction type of device:

With substructure

12. Power electric [kW]:

15.000

13. Loading:

400 V / 3N - 50 Hz

14. Protection of controls:

IPX4

15. Material:

AISI 304 top plate, AISI 430 cladding

16. Indicators:

operation and warm-up

17. Worktop material:

AISI 304

18. Device heating type:

Indirect

19. Basin volume [l]:

80

20. Maximum device temperature [°C]:

300

21. Minimum device temperature [°C]:

50

22. Adjustable feet:

Yes

23. Tilting:

Manual

24. Bottom thickness:

12.00

25. Bottom material:

Steel - suitable for frying

26. Type of pan:

Tilting

27. Usable volume [l]:

80

28. Filling:

Mechanical cock

Technical data sheet



Technical parameters

Tilting bratt pan manual electric 80 l steel compound bottom

Model	SAP Code	00012289
--------------	-----------------	----------

29. Basin shape:

Practically shaped bathtub spout to minimize spillage

30. Water filling type:

Cold